



ICON

LED Downlight

1122 - 1526 Lumens



LED Lighting
Fibre Optic Lighting
Lighting Control
Electronic Engineers



ICON

LED Downlight
1122 - 1526 Lumens

Powerful & compact, an architectural favourite

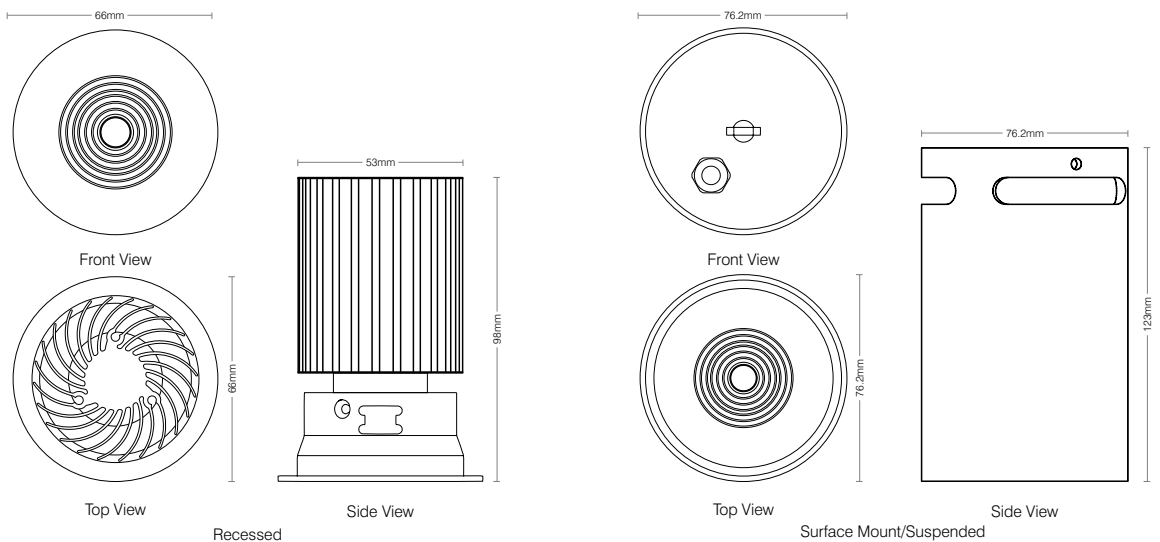
The Icon is an LED downlight range that was designed for use in architectural projects where small fixtures are desirable. These fixtures provide high light output and amazing efficiency from a very small form factor. A perfect luminaire for hospitality, residential and commercial projects where good lux levels and glare control are important. Using Digilin's advanced LED technology, the Icon is an innovation in electronics, thermal management and beam control.



Specifications

Version	Icon 1300				Icon 1500			
Colours	Warmer	Warm	Neutral	Cool	Warmer	Warm	Neutral	Cool
Colour Temperature	2700K	3000K	4000K	5000K	2700K	3000K	4000K	5000K
Luminaire Lumens @ 64°/60°	1122	1277	1350	1350	1409	1443	1526	1526
Power	9.2W				12.2W			
Current	270mA				350mA			
Voltage (Nominal)	34.1VDC				34.9VDC			
Connected Load	12W				15W			
Beam Options	42°, 60°							
Typical CRI	85 (90 CRI Available)							
MacAdams Ellipse	3 SDCM/MacAdam Steps							
Performance	90% Lumen Maintenance (10k) @ >55,000 Hours (L90)							
Power Factor	>0.9							
Dimming Options	Mains, DALI, Super Smooth DALI, Super Smooth DMX							
Construction Material	Powder-coated machined aluminium frame/fascia & extruded aluminium heatsink							
Finish Colour	White (Custom colours on request)							
IP Rating	IP40 (IP54 & IP65 Available)							
Mounting	Fixed Recessed, Surface Mount, Suspended							
Hole Cut Out	54mm (or 57mm to suit 413QC)							
Weight	285gm (Fixed Recessed)							

Dimensions



Ordering Codes

QUICK SPEC				OPTIONS										
ICN	-	1300	-	W30	-	42	-	-	-	-	-			
Family		Version		Colour/CCT		Beam Angle		Finish Colour		CRI		Mounting		Control
ICN Liberty Downlight		1300 1300 Lumen 1500 1500 Lumen		W27 2700K W30 3000K W40 4000K W50 5000K WXX Custom (Specify)		42 42 Degree 60 60 Degree		WHT White BLK Black CST Custom Colour		90 90+CRI		SFC Surface SUS Suspended ROD Rod Suspended		ND Non Dimming MD Mains Dimming ANA Analogue DALI DALI SDAL Smooth DALI DMX DMX

NOTE: Icon range is proudly engineered by Digilin and manufactured in our Brisbane facility



LED Lighting
Fibre Optic Lighting
Lighting Control
Electronic Engineers



1800 950 888
+617 3899 1267
info@digilin.com.au
www.digilin.com.au