

Liberty Fixed Led Downlight Specifications & Installation Guide



Table Of Contents

Safety Notes	2
Specifications	2
Physical	2
Inputs	2
Optical.....	3
110.....	3
112.....	3
118.....	3
126.....	3
Beam Angles	3
Installation	4
Recessed	4
Note:.....	4

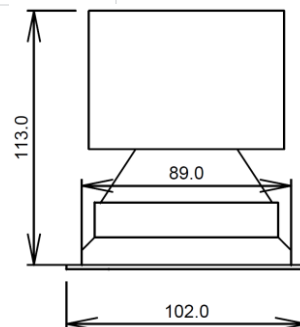
Safety Notes

- Install in a dry sheltered position
- Installation should only be performed by a qualified professional
- Install in accordance with all appropriate wiring standards
- Never connect a LED fitting to a driver that is powered. Doing so may result in damage to the LED.
- Always make sure the output voltage range and output current of the LED driver match the requirements of the LED fitting. Failure to do so may result in damage both the driver and fitting.

Specifications

Physical

		Units
Dimensions	102 x 113	mm
Weight	570	g
Cut out Size	90	mm



Inputs

	110	112	118	126	Units
Forward Voltage	34.2	34.5	33.9	33.9	V
Current	270	350	500	700	mA

Optical

110

				Units
Order Code	W30	W40	W50	
Colour Temperature	3000	4000	5000	K
Typical Lumens	950	990	1000	lm

112

				Units
Order Code	W30	W40	W50	
Colour Temperature	3000	4000	5000	K
Typical Lumens	1270	1320	1350	lm

118

				Units
Order Code	W30	W40	W50	
Colour Temperature	3000	4000	5000	K
Typical Lumens	1620	1690	1690	lm

126

				Units
Order Code	W30	W40	W50	
Colour Temperature	3000	4000	5000	K
Typical Lumens	2140	2210	2210	lm

Beam Angles

Order Code	Beam Angle
18	18°
35	35°
64	64°

Installation

Recessed

1. Cut a hole in the ceiling 90mm (3.5")
2. Connect lead from driver to luminaire and place driver in ceiling



3. With mains circuit off, connect driver to mains.
4. Squeeze the support springs against the body and feed the luminaire through the hole.



5. Gently release the springs and allow them to pull the fitting into place. If necessary gently push the unit upwards to assist.



Note:

The Liberty range of downlights uses state of the art LED technology and thermal management. These fixtures are suitable for installation into ceiling voids adjacent to combustible materials.

For any technical information relating to the connection of these luminaires to dimming systems, refer to LED products at www.digilin.com.au