

GL30 Terra in-Ground Luminaire Specifications & Installation Guide



Table Of Contents

Safety Notes	2
Specifications	2
Physical	2
Inputs	2
Optical.....	3
Beam Options	3
Environmental.....	3
Protection	3
Installation	3
Warnings.....	3
Electrical	3
Instructions	4
Maintenance	5

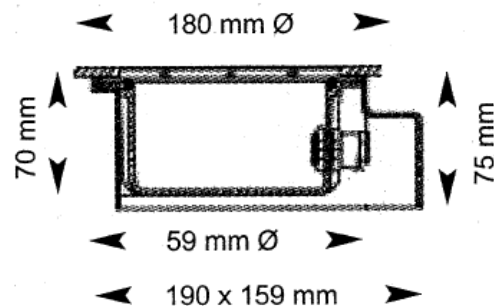
Safety Notes

- Installation should only be performed by a qualified professional
- Install in accordance with all appropriate wiring standards
- Never connect a LED fitting to a driver that is powered. Doing so may result in damage to the LED.
- Always make sure the output voltage range and output current of the LED driver match the requirements of the LED fitting. Failure to do so may result in damage both the driver and fitting.

Specifications

Physical

		Units
Dimensions	180 x 180 x 70	mm
Weight	2.2	kg



Inputs

			Units
Voltage	Nominal	12	VAC
	Min	10	
	Absolute Max	14	
Drive Current ¹		1.4	A
Power ¹		16.8	W

¹ @ 12VAC In

Optical

					Units
Order Code	W30	W35	W40	W50	
Colour Temperature	3000	3500	4000	5000	K
Typical Lumens	1150	1150	1150	1150	lm

Beam Options

Order Code	Beam
14	14°
28	28°
60	60°
12x48	12° x 48°
30	30° Adjustable

Environmental

Max Operating Temperature	45° (ambient)
IP Rating	67

Protection

Features Thermal Foldback of LED current when operating temperature $\geq 85^{\circ}\text{C}$

Installation

Warnings

- Warranty void if damage is caused by water ingress through cables.
- Cable join must be sealed or in a dry location.
- In Australia refer to AS/NZS 3000:2007 WIRING RULES.
- Water entering the cable may damage this fitting.

Electrical

- **CAUTION** This is an extra low voltage product only to be used with a conventional iron core isolation transformer.
- **NOT TO BE USED WITH HALOGEN ELECTRONIC TRANSFORMERS.**
- Power unit only with 12V AC. (further restrictions on supply voltage can occur with areas such as pools due to local codes).
- For intended use as a lighting product only.
- To be installed by competent licensed electrical personnel only. To be installed in accordance with local authority regulations and codes
- Avoid excessive strain on the fitting cable fixing during installation. Take care not to nick or damage the cable. Always terminate in a dry location or use a suitable sealed connection.
- **WARNING!** Ingress of water at cable termination points, that allows siphoning or capillary action of water through the cable and may ultimately result in damage to the fitting, as well as corrosion of the actual cable conductors themselves and associated terminals.
- We recommend either that full unjoined cables be used (back to a dry location) or a suitable weatherproof joining method be used.
- There are many standard ways that fully waterproof reliable connections can easily be made if a loop wiring system is required. These include electric junction boxes that are filled with one of the readily available potting encapsulants specifically made for this type of application.
- Keep these instruction in a safe place.

Instructions

1. Run continuous cable from luminaire directly to power supply. **DO NOT APPLY POWER** until instruction 6.
If insufficient cable has been ordered with the luminaire, a **WATERPROOF** cable join, using an **APPROVED WATERPROOF CABLE JOINING KIT** in accordance with Wiring Regulations **MUST BE UNDERTAKEN**. In Australia refer to **AS/NZS 3000:2007 WIRING RULES**.

2. Disassemble fitting by removing the 4 countersunk stainless screws and trim. Note! The screws are coated with Anti-seize grease to prevent binding, **DO NOT** clean grease from screws.

3. Remove glass and unscrew 2 x countersunk screws holding body to ground support.

4. Place ground light support in desired location and fill surrounding area up to edge marked in Figure 1.

5. Place fitting into support ensuring no foreign objects are present on seating face. Fasten fitting into support with supplied countersink screws, as per Figure 2.

Fill to this edge



Figure 1 GL30 support

Countersink mounting screws



Figure 2 Location of mounting screws

6. Apply power to each fitting in turn and run for approximately 15 to 20 minutes. After each fitting has run for this period of time remove power and continue with installation immediately while fitting is warm.

Note: This procedure to be repeated for each fitting in turn.

7. Place glass into recess in fitting base making sure recess is clean and free from any foreign matter, as per Figure 3.

8. Fit stainless top trim and tighten screw uniformly, as per Figure 4.

WARNING - INSTRUCTION

Using a 3mm Allen Head driver and tool provided, SPACER-TOOL-GL30, ensure all four screws are tightened gradually by placing spacer under the lip of the stainless steel ring as each screw is tightened to ensure plate is level and not over tightened. Correct tightening is achieved by ensuring the tool is still able to be removed.



Figure 3 Installing glass



Figure 4 Attaching cover plate.

Maintenance

- Clean glass with soap and water only. Do not use any solvents.
- If the glass is damaged or if there are signs of a fault do not continue using fitting.
- The unit is serviceable. The LED lamp and circuitry are replaceable.
- Do not attempt to disassemble. Contact manufacturer for further instructions.