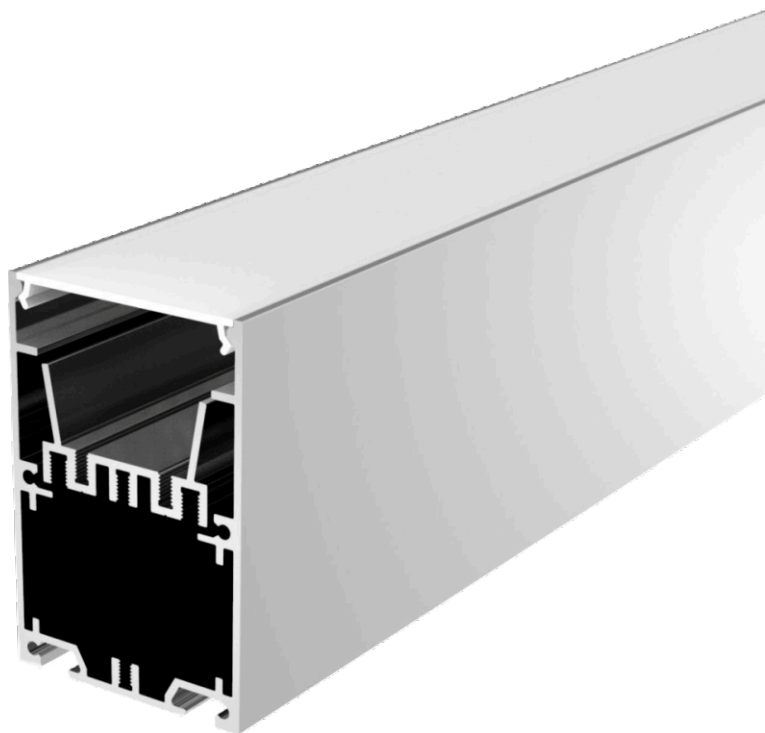


# DANTE 501

Extrusion Profile



# DANTE 501

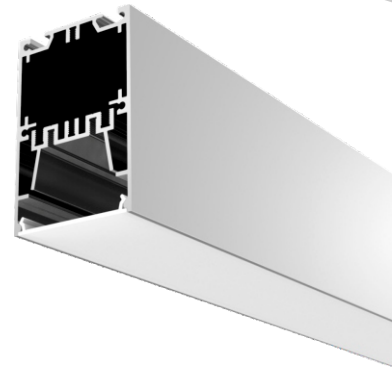
Extrusion Profile

DIGILIN

A large aluminium extrusion for surface mounted applications.

Dante 501 is a stylish linear extrusion profile suitable for surface mounted and suspended applications. Available with factory mitred corners and tee sections, plus various options for mounting hardware, the Dante 501 is designed for easy installation.

Available with a range of strip options, Dante 501 can be applied to low power decorative outlines, task lighting or high output general lighting.

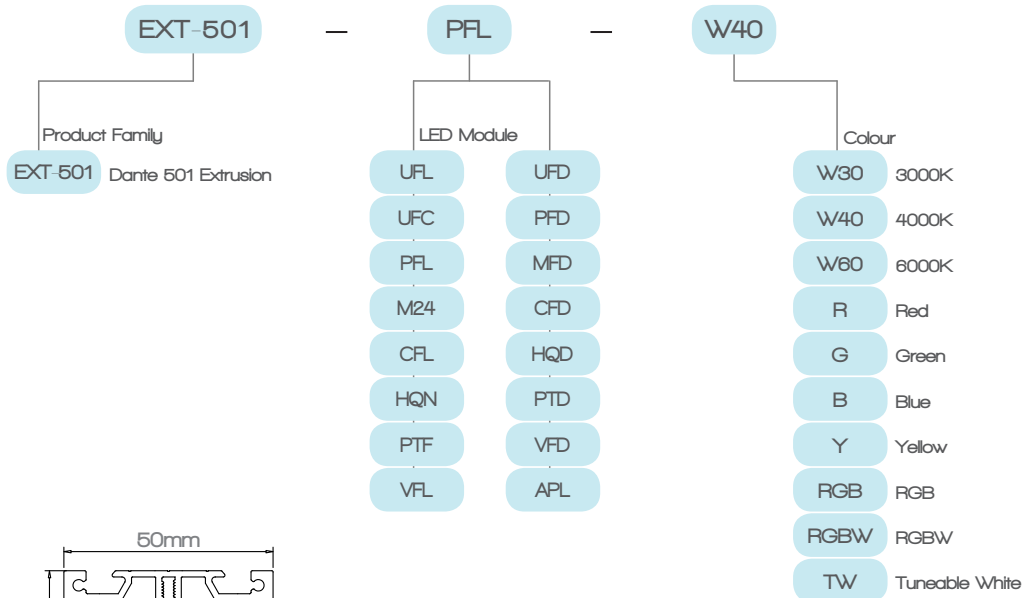


## AVAILABLE WITH

Code	Colours	Watts p/m	Lumens p/m
UFL	3000K, 4000K, 6000K	8.64	840
UFC	Red, Green, Blue, Yellow	8.64	432
PFL	3000K, 4000K	15	1595
M24	3000K, 4000K	24	2400
CFL	RGB	14.4	228
HQN	RGB	17.3	548
PTF	RGBW	17.3	900
VFL	Tuneable White	14.4	1400

Code	Colours	Watts p/m	Lumens p/m
UFD	3000K, 4000K, 6000K	17.3	1680
PFD	3000K, 4000K	30	3190
MFD	3000K, 4000K	48	4800
CFD	RGB	28.8	452
HQD	RGB	34.6	1096
PTD	RGBW	34.6	1800
VFD	Tuneable White	28.8	2800
APL (in dev)	3000K, 4000K	40	4000

## ORDERING CODES



## DIMENSIONS

