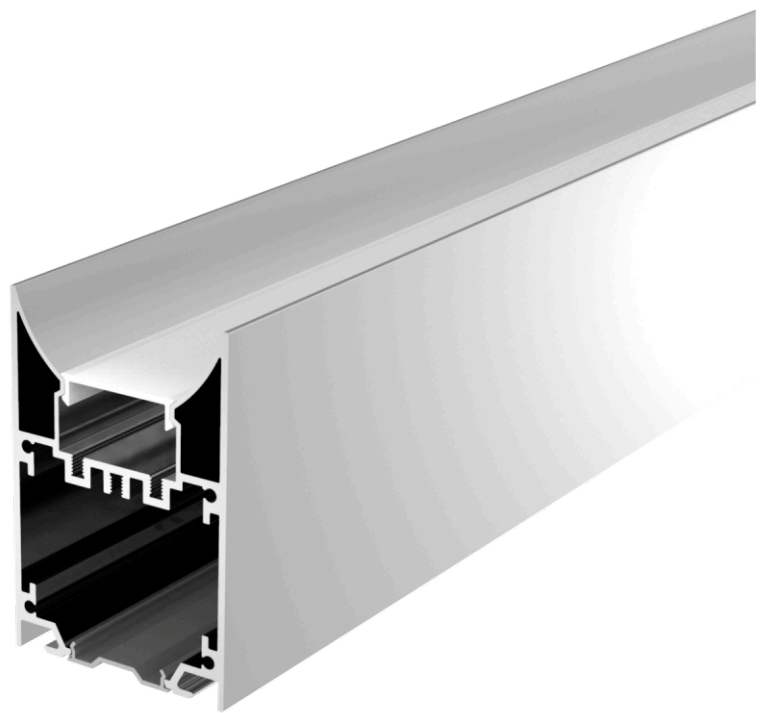


JAS 581

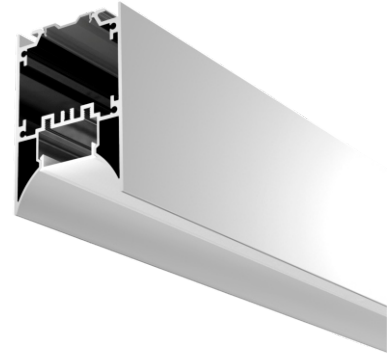
Extrusion Profile



Suspended profile with glare reduction

Jas 581 offers conventional suspended extrusion shape and stylings with the added benefit of a deep set lens to reduce glare. The lens is located within a reflector at the bottom of the extrusion resulting in a perfect base for task lighting applications.

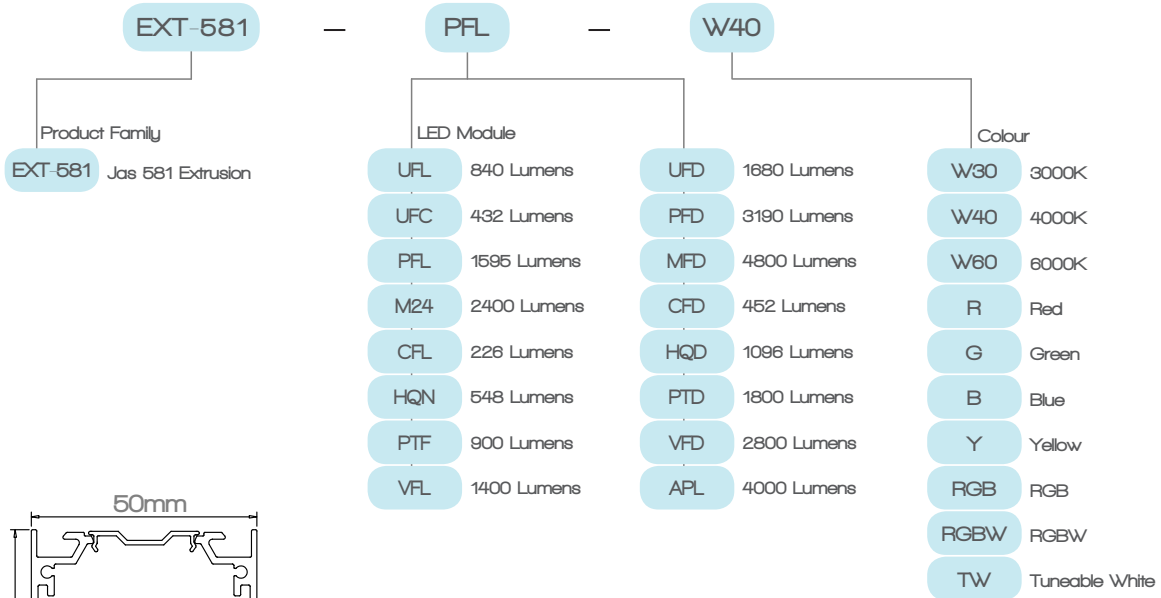
As with all Digilin extrusion profiles, these can be supplied as individual fixtures or assembled together for a seamless linear lighting system. Equip the Jas 581 with any selection from the Digilin linear range to produce downward task lighting in a suspended format.



AVAILABLE WITH

Code	Colours	Watts p/m	Lumens p/m	Code	Colours	Watts p/m	Lumens p/m
UFL	3000K, 4000K, 6000K	8.64	840	UFD	3000K, 4000K, 6000K	17.3	1680
UFC	Red, Green, Blue, Yellow	8.64	432	PFD	3000K, 4000K	30	3190
PFL	3000K, 4000K	15	1595	MFD	3000K, 4000K	48	4800
M24	3000K, 4000K	24	2400	CFD	RGB	28.8	452
CFL	RGB	14.4	226	HQD	RGB	34.6	1096
HQN	RGB	17.3	548	PTD	RGBW	34.6	1800
PTF	RGBW	17.3	900	VFD	Tunable White	28.8	2800
VFL	Tunable White	14.4	1400	APL (in dev)	3000K, 4000K	40	4000

ORDERING CODES



DIMENSIONS

