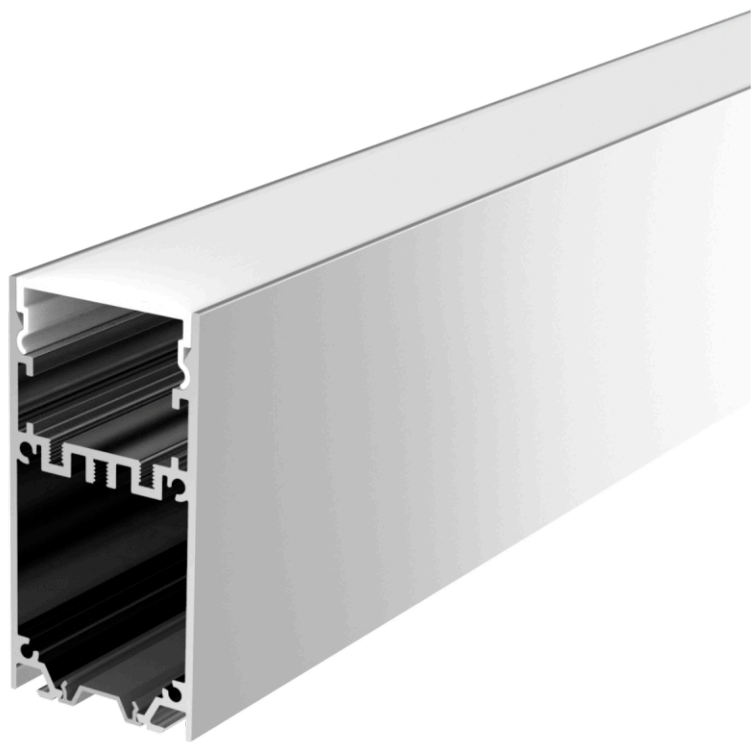


ZERO 561

Extrusion Profile



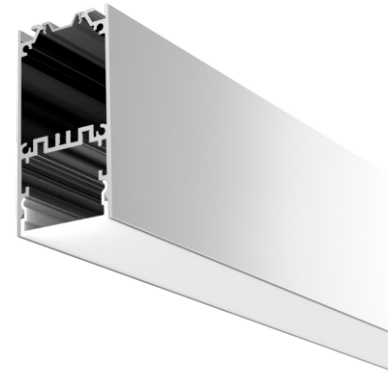
ZERO 561

Extrusion Profile

DIGILIN

Rectangular profile for surface mounting and suspension

Zero 561 is a stylish linear extrusion profile suitable for surface mounted and suspended applications. Available with factory mitred corners and tee sections, plus various options for mounting hardware, the zero 561 is designed for easy installation.

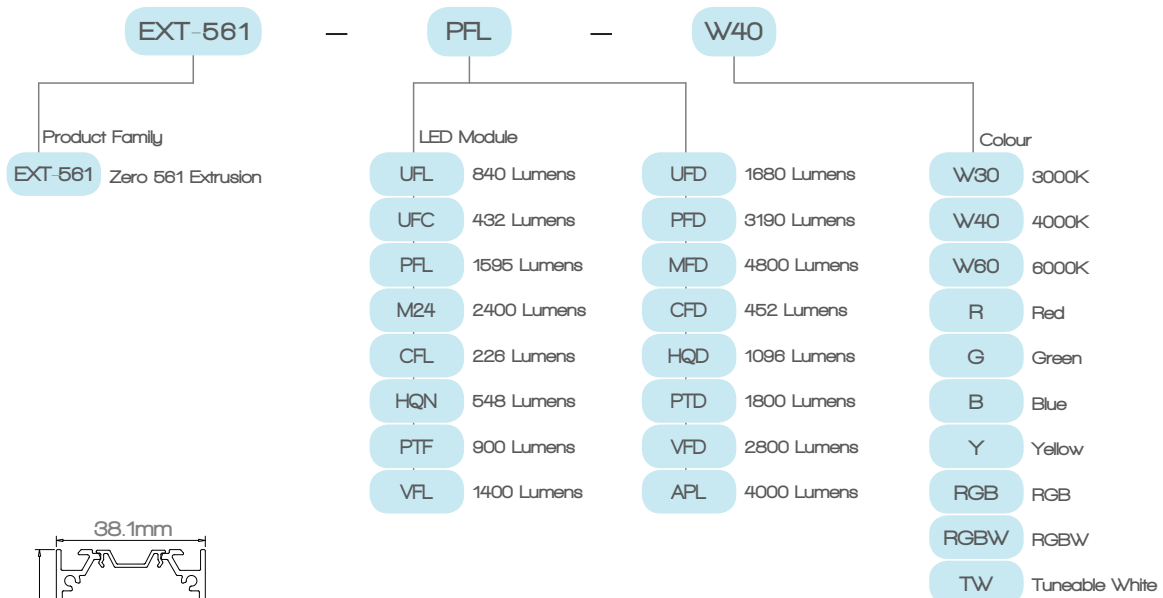


Available with a range of strip options, Zero 561 can be applied to low power decorative outlines, task lighting or high output general lighting

AVAILABLE WITH

Code	Colours	Watts p/m	Lumens p/m	Code	Colours	Watts p/m	Lumens p/m
UFL	3000K, 4000K, 6000K	8.64	840	UFD	3000K, 4000K, 6000K	17.3	1680
UFC	Red, Green, Blue, Yellow	8.64	432	PFD	3000K, 4000K	30	3190
PFL	3000K, 4000K	15	1595	MFD	3000K, 4000K	48	4800
M24	3000K, 4000K	24	2400	CFD	RGB	28.8	452
CFL	RGB	14.4	226	HQD	RGB	34.6	1096
HQN	RGB	17.3	548	PTD	RGBW	34.6	1800
PTF	RGBW	17.3	900	VFD	Tunable White	28.8	2800
VFL	Tunable White	14.4	1400	APL (in dev)	3000K, 4000K	40	4000

ORDERING CODES



DIMENSIONS

