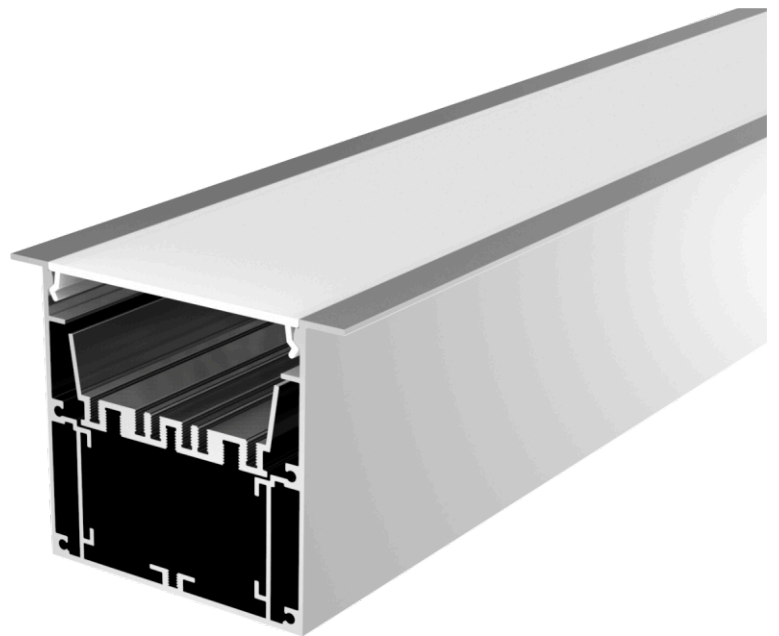


LUMA 512

Extrusion Profile



LUMA 512

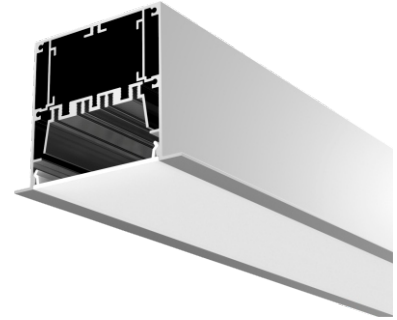
Extrusion Profile

DIGILIN

Recess profile for 80mm ceiling or wall slots

Luma 512 is a discreet linear extrusion profile suitable for recessed installation into ceilings and wall cavities. Assembled and supplied as multiple ready to install luminaires, Luma 512 provides a seamless linear lighting finish.

Available with a range of strip options, Luma 512 can be applied to low power decorative outlines, task lighting or high output general lighting.

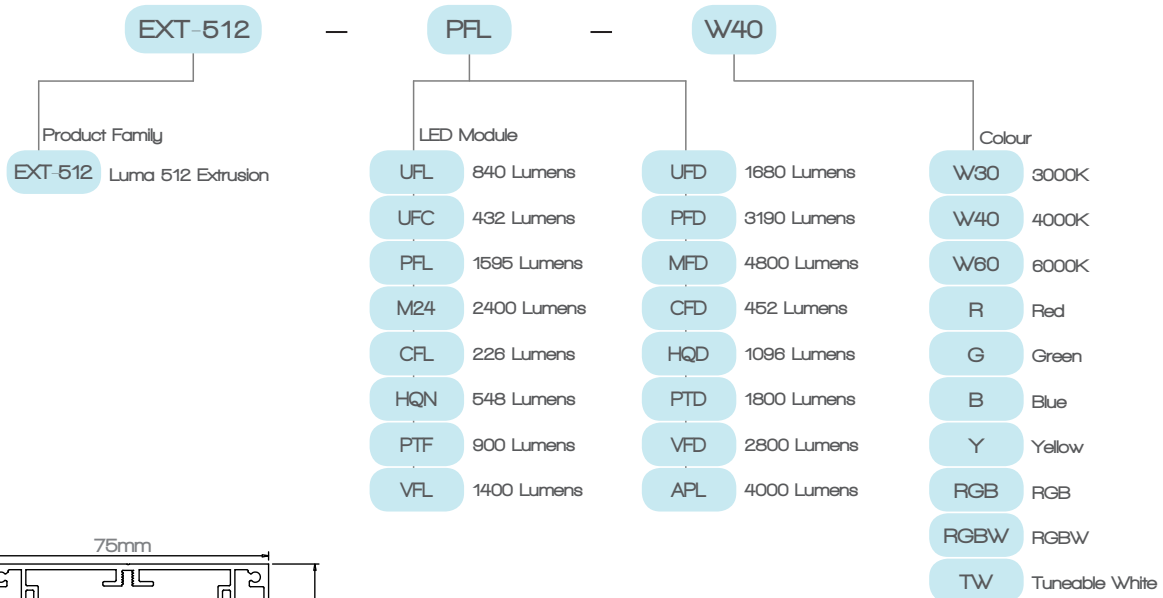


AVAILABLE WITH

Code	Colours	Watts p/m	Lumens p/m
UFL	3000K, 4000K, 6000K	8.64	840
UFC	Red, Green, Blue, Yellow	8.64	432
PFL	3000K, 4000K	15	1595
M24	3000K, 4000K	24	2400
CFL	RGB	14.4	226
HQN	RGB	17.3	548
PTF	RGBW	17.3	900
VFL	Tunable White	14.4	1400

Code	Colours	Watts p/m	Lumens p/m
UFD	3000K, 4000K, 6000K	17.3	1680
PFD	3000K, 4000K	30	3190
MFD	3000K, 4000K	48	4800
CFD	RGB	28.8	452
HQD	RGB	34.6	1096
PTD	RGBW	34.6	1800
VFD	Tunable White	28.8	2800
APL (in dev)	3000K, 4000K	40	4000

ORDERING CODES



DIMENSIONS

