

TITAN

LED Fibre Optic Lightsource



LED fibre optic lightsource with metal halide performance

A breakthrough in lighting technology and an ultra versatile illumination device, the Titan opens up enormous design possibilities for lighting projects.

Drawing on the extensive engineering capabilities of Digilin the Titan uses a revolutionary optical lens design to deliver massive light output into small fibre bundles for superbright fibre cables.

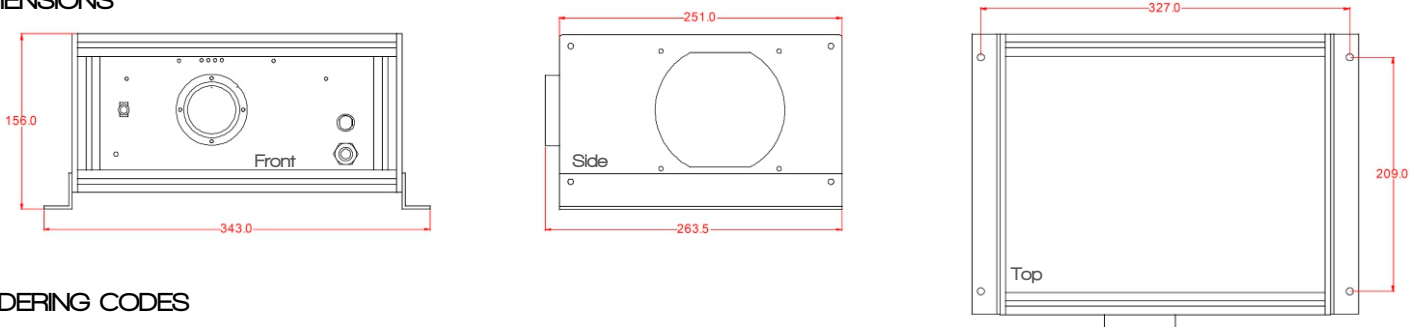
The only LED fibre optic lightsource capable of sidelighting applications



SPECIFICATIONS

Version	060	075	090
Power	60w	75w	90w
Lamp	LED		
Lamp Life	50,000 Hours		
Construction	Composite Aluminium Panel With Modular Frame		
Optical	6930 Lumens	8080 Lumens	9240 Lumens
Electrical	240V (50Hz)		
Overload Protection	Fuse		
Thermal Management	High Performance Liquid Cooler		
Dimensions	345mm wide x 264mm deep x 156mm high (excluding common end)		
Weight	4.5kg		
Control Options	On/Off, Toggle Switch, Remote Switch, DMX		
Colour Temperature	5000K (3000K & 4000K by special order)		
Colour Wheel	6 Colour Dichroic, Star Scintillation, Custom		
Fibre Capacity	1000		

DIMENSIONS



ORDERING CODES

