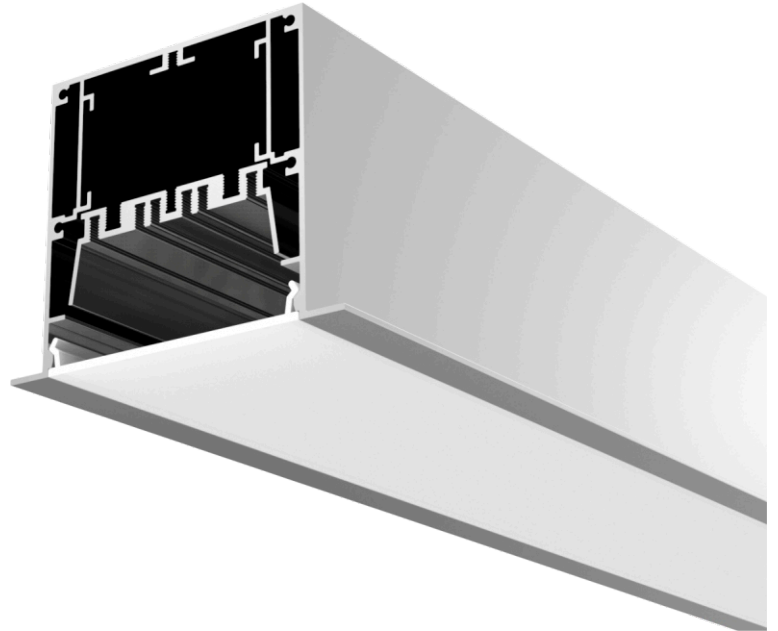




RECESS 95

LED Extrusion Profile

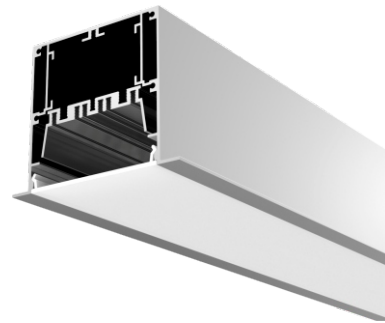


LED Lighting
Fibre Optic Lighting
Lighting Control
Electronic Engineers



RECESS 95

LED Extrusion Profile

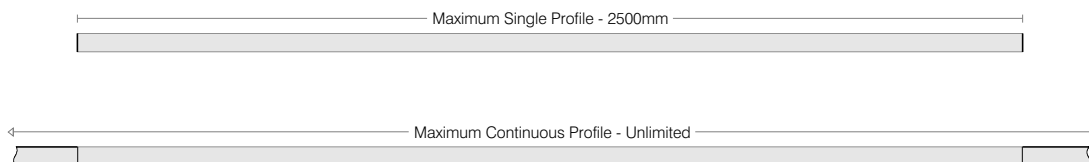
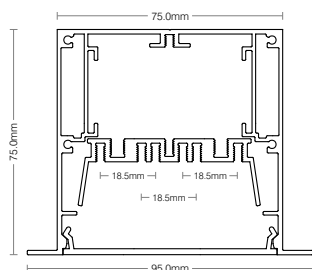


Aluminium extrusion profile for recessed applications.

Recess 95 is a discreet linear extrusion profile suitable for recessed applications into ceilings and wall cavities. Assembled and supplied as multiple ready to install luminaires, Recess 95 provides a seamless linear lighting finish. Available with a range of LED modules, Recess 95 can be applied to low power decorative outlines, task lighting or high output general lighting.

LED Options	Lumens (p/m)				Power (p/m)			Performance				
White	2700K	3000K	4000K	5700K	W	VDC	mA	CRI (default)	CRI (option)	L70 (Calc)	L70 (TM21)	
LED 70	-	72	-	-	1.2	24	50	80	Nil	54,000	36,000	
LED 800	780	800	870	910	7.92	24	330	80	90/95	54,000	36,000	
LED 1600	1447	1480	1613	1680	16.08	24	670	80	90/95	54,000	36,000	
LED 2400	2170	2220	2420	2520	24.00	24	1000	80	90/95	54,000	36,000	
LED 3200	2894	2960	3226	3360	32.16	24	1340	80	90/95	54,000	36,000	
LED 4400	-	4200	4400	-	33.6	24	1400	80	90/95	54,000	36,000	
LED 4800	4340	4440	4840	5040	48.00	24	2000	80	90/95	54,000	36,000	
LED 8800	-	8400	8800	-	67.2	24	2800	80	90/95	54,000	36,000	
Colourmixing	All (inc white)				W	VDC	mA	CRI (default)	CRI (option)	L70 (Calc)	L70 (TM21)	
RGB 300					480	11.52	24	480	-	54,000	36,000	
RGB 600					720	17.28	24	720	-	54,000	36,000	
RGB 1200					1096	34.56	24	1440	-	54,000	36,000	
RGBW 900					906	17.28	24	720	80	54,000	36,000	
RGBW 1800					1812	34.56	24	1440	80	54,000	36,000	
RGBW 3000					2768	41.28	24	1720	80	90/95	54,000	36,000
Tuneable White	3000K	4000K	5000K	6000K	W	VDC	mA	CRI (default)	CRI (option)	L70 (Calc)	L70 (TM21)	
VariWhite 1400	1506	1550	1594	1638	14.4	24	600	80	-	54,000	36,000	
VariWhite 2800	3012	3100	3188	3276	28.8	24	1200	80	-	54,000	36,000	

Dimensions



Ordering Codes

QUICK SPEC				OPTIONS				
Profile	Lumen Group	Colour/CCT	Cover/Lens	CRI	Shield	Finish Colour	Integral Control	Mounting
REC095	0800	W30	O	-	-	-	-	-
REC095	Recess 95	W24 2400K	O Opal	90 90+CRI	S44 Shield 44	WHT White	ND Non Dimming	SFC Surface
	0070 70 Lumen	W27 2700K		95 95+CRI	S55 Shield 55	BLK Black	MD Mains Dimming	SUS Suspended
	0800 800 Lumen	W30 3000K			S65 Shield 65	CST Custom Colour	ANA Analogue	ROD Rod Suspended
	1600 1600 Lumen	W40 4000K					DAL DALI	
	2400 2400 Lumen	W57 5700K					DMX DMX	
	3200 3200 Lumen	RGB RGB					PWM PWM	
	4400 4400 Lumen	RGBWxx RGBW					WLS Wireless	
	4800 4800 Lumen	WxxWxx VariWhite						
	8800 8800 Lumen							
	0300 300 Lumen (RGB)							
	0600 600 Lumen (RGB)							
	0900 900 Lumen (RGBW)							
	1200 1200 Lumen (RGB)							
	1800 1800 Lumen (RGBW)							
	3000 3000 Lumen (RGBW)							
	1400 1400 Lumen (VariWhite)							
	2800 2800 Lumen (VariWhite)							

NOTE - Dot free illumination is guaranteed with all White LED/Opal diffuser combinations. Clear and frosted diffusers will not provide dot free finish. Tuneable White, RGB or RGBW LED's may produce spotting on small profiles.



LED Lighting
Fibre Optic Lighting
Lighting Control
Electronic Engineers



1800 950 888
+617 3899 1267
info@digilin.com.au
www.digilin.com.au