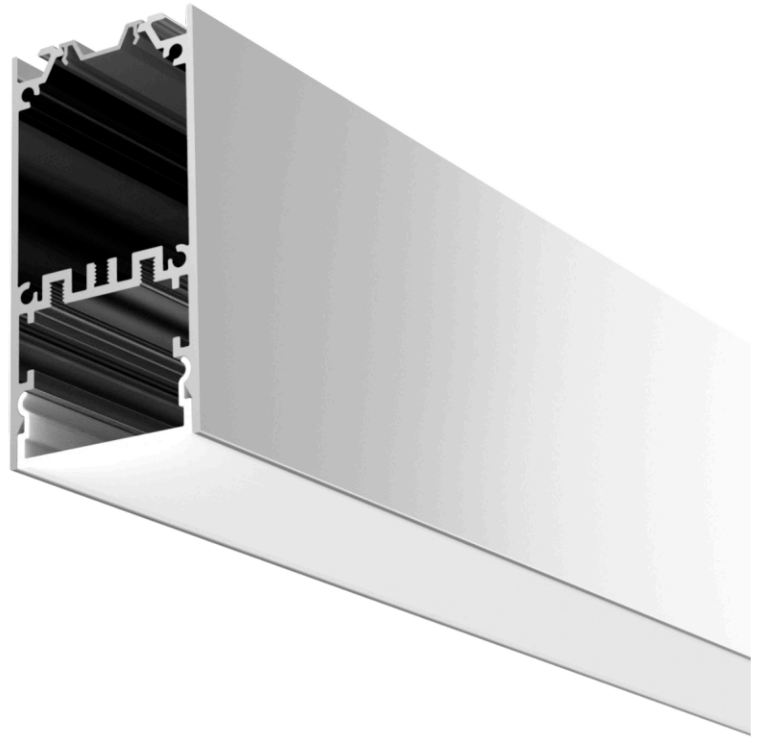




SURFACE 40

LED Extrusion Profile

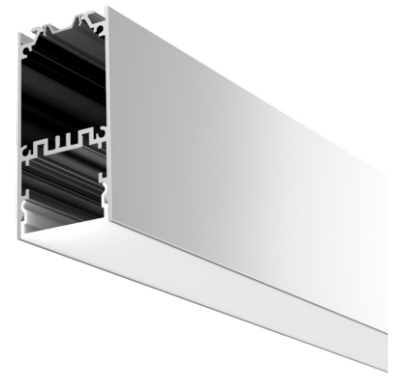


LED Lighting
Fibre Optic Lighting
Lighting Control
Electronic Engineers



SURFACE 40

LED Extrusion Profile



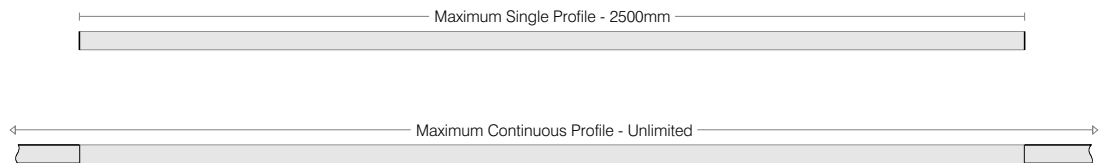
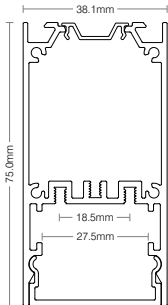
A deep & narrow profile for surface mounted applications.

Surface 40 is a stylish linear extrusion profile suitable for surface mounted and suspended applications. Available with factory mitred corners and tee sections, plus various options for mounting hardware, Surface 40 is designed for easy installation. Available with a range of LED modules, Surface 40 can be applied to low power decorative outlines, task lighting or high output general lighting.

LED Options

White	Lumens (p/m)				Power (p/m)			Performance			
	2700K	3000K	4000K	5700K	W	VDC	mA	CRI (default)	CRI (option)	L70 (Calc)	L70 (TM21)
LED 70	-	72	-	-	1.2	24	50	80	Nil	54,000	36,000
LED 800	780	800	870	910	7.92	24	330	80	90/95	54,000	36,000
LED 1600	1447	1480	1613	1680	16.08	24	670	80	90/95	54,000	36,000
LED 2400	2170	2220	2420	2520	24.00	24	1000	80	90/95	54,000	36,000
LED 3200	2894	2960	3226	3360	32.16	24	1340	80	90/95	54,000	36,000
LED 4400	-	4200	4400	-	33.6	24	1400	80	90/95	54,000	36,000
LED 4800	4340	4440	4840	5040	48.00	24	2000	80	90/95	54,000	36,000
Colourmixing				All (inc white)	W	VDC	mA	CRI (default)	CRI (option)	L70 (Calc)	L70 (TM21)
RGB 300				480	11.52	24	480	-	-	54,000	36,000
RGB 600				720	17.28	24	720	-	-	54,000	36,000
RGB 1200				1096	34.56	24	1440	-	-	54,000	36,000
RGBW 900				906	17.28	24	720	80	-	54,000	36,000
RGBW 1800				1812	34.56	24	1440	80	-	54,000	36,000
RGBW 3000				2768	41.28	24	1720	80	90/95	54,000	36,000
Tunable White	3000K	4000K	5000K	6000K	W	VDC	mA	CRI (default)	CRI (option)	L70 (Calc)	L70 (TM21)
VariWhite 1400	1506	1550	1594	1638	14.4	24	600	80	-	54,000	36,000
VariWhite 2800	3012	3100	3188	3276	28.8	24	1200	80	-	54,000	36,000

Dimensions



Ordering Codes

QUICK SPEC				OPTIONS				
Profile	Lumen Group	Colour/CCT	Cover/Lens	CRI	Shield	Finish Colour	Integral Control	Mounting
SFC040	0800	W30	O	-	-	-	-	-
SFC040 Surface 40	0070 70 Lumen 0800 800 Lumen 1600 1600 Lumen 2400 2400 Lumen 3200 3200 Lumen 4400 4400 Lumen 4800 4800 Lumen 0300 300 Lumen (RGB) 0600 600 Lumen (RGB) 0900 900 Lumen (RGBW) 1200 1200 Lumen (RGB) 1800 1800 Lumen (RGBW) 3000 3000 Lumen (RGBW) 1400 1400 Lumen (VariWhite) 2800 2800 Lumen (VariWhite)	W24 2400K W27 2700K W30 3000K W40 4000K W57 5700K RGB RGB RGBWxx RGBW WxxWxx VariWhite	O Opal	90 90+CRI 95 95+CRI	S44 Shield 44 S55 Shield 55 S65 Shield 65	WHT White BLK Black CST Custom Colour	ND Non Dimming MD Mains Dimming ANA Analogue DAL DALI DMX DMX PWM PWM WLS Wireless	SFC Surface SUS Suspended ROD Rod Suspended

NOTE - Dot free illumination is guaranteed with all White LED/Opal diffuser combinations. Clear and frosted diffusers will not provide dot free finish. Tunable White, RGB or RGBW LED's may produce spotting on small profiles.



LED Lighting
Fibre Optic Lighting
Lighting Control
Electronic Engineers



1800 950 888
+617 3899 1267
info@digilin.com.au
www.digilin.com.au