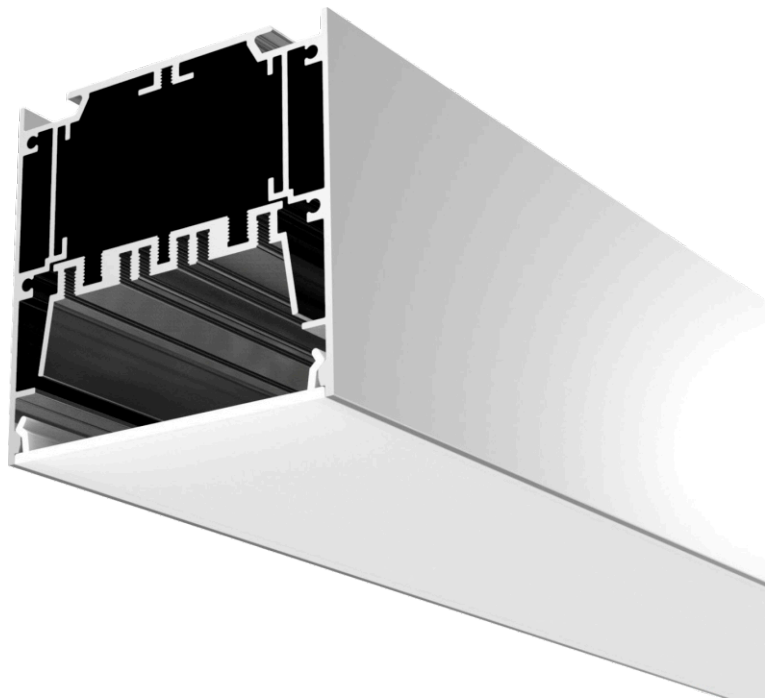




SURFACE 75

LED Extrusion Profile

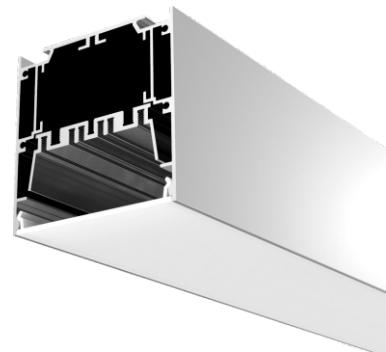


LED Lighting
Fibre Optic Lighting
Lighting Control
Electronic Engineers



SURFACE 75

LED Extrusion Profile

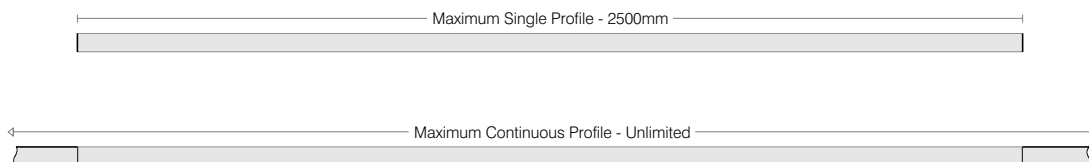
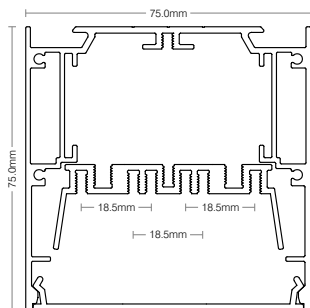


A large aluminium extrusion for surface mounted applications.

Surface 75 is a stylish linear extrusion profile suitable for surface mounted and suspended applications. Available with factory mitred corners and tee sections, plus various options for mounting hardware, Surface 75 is designed for easy installation. Available with a range of LED modules, Surface 75 can be applied to low power decorative outlines, task lighting or high output general lighting.

| LED Options | Lumens (p/m) | | | | Power (p/m) | | | Performance | | | |
|-----------------------|--------------|-------|-------|-----------------|-------------|-----|------|---------------|--------------|------------|------------|
| White | 2700K | 3000K | 4000K | 5700K | W | VDC | mA | CRI (default) | CRI (option) | L70 (Calc) | L70 (TM21) |
| LED 70 | - | 72 | - | - | 1.2 | 24 | 50 | 80 | Nil | 54,000 | 36,000 |
| LED 800 | 780 | 800 | 870 | 910 | 7.92 | 24 | 330 | 80 | 90/95 | 54,000 | 36,000 |
| LED 1600 | 1447 | 1480 | 1613 | 1680 | 16.08 | 24 | 670 | 80 | 90/95 | 54,000 | 36,000 |
| LED 2400 | 2170 | 2220 | 2420 | 2520 | 24.00 | 24 | 1000 | 80 | 90/95 | 54,000 | 36,000 |
| LED 3200 | 2894 | 2960 | 3226 | 3360 | 32.16 | 24 | 1340 | 80 | 90/95 | 54,000 | 36,000 |
| LED 4400 | - | 4200 | 4400 | - | 33.6 | 24 | 1400 | 80 | 90/95 | 54,000 | 36,000 |
| LED 4800 | 4340 | 4440 | 4840 | 5040 | 48.00 | 24 | 2000 | 80 | 90/95 | 54,000 | 36,000 |
| LED 8800 | - | 8400 | 8800 | - | 67.2 | 24 | 2800 | 80 | 90/95 | 54,000 | 36,000 |
| Colourmixing | | | | All (inc white) | W | VDC | mA | CRI (default) | CRI (option) | L70 (Calc) | L70 (TM21) |
| RGB 300 | | | | 480 | 11.52 | 24 | 480 | - | - | 54,000 | 36,000 |
| RGB 600 | | | | 720 | 17.28 | 24 | 720 | - | - | 54,000 | 36,000 |
| RGB 1200 | | | | 1096 | 34.56 | 24 | 1440 | - | - | 54,000 | 36,000 |
| RGBW 900 | | | | 906 | 17.28 | 24 | 720 | 80 | - | 54,000 | 36,000 |
| RGBW 1800 | | | | 1812 | 34.56 | 24 | 1440 | 80 | - | 54,000 | 36,000 |
| RGBW 3000 | | | | 2768 | 41.28 | 24 | 1720 | 80 | 90/95 | 54,000 | 36,000 |
| Tuneable White | 3000K | 4000K | 5000K | 6000K | W | VDC | mA | CRI (default) | CRI (option) | L70 (Calc) | L70 (TM21) |
| VariWhite 1400 | 1506 | 1550 | 1594 | 1638 | 14.4 | 24 | 600 | 80 | - | 54,000 | 36,000 |
| VariWhite 2800 | 3012 | 3100 | 3188 | 3276 | 28.8 | 24 | 1200 | 80 | - | 54,000 | 36,000 |

Dimensions



Ordering Codes

| QUICK SPEC | | | | OPTIONS | | | | |
|------------|-----------------------------|------------------|------------|-----------|---------------|-------------------|------------------|-------------------|
| Profile | Lumen Group | Colour/CCT | Cover/Lens | CRI | Shield | Finish Colour | Integral Control | Mounting |
| SFC075 | 0800 | W30 | O | - | - | - | - | - |
| SFC075 | Surface 75 | 0070 70 Lumen | Opal | 90 90+CRI | S44 Shield 44 | WHT White | ND Non Dimming | SFC Surface |
| | 0800 800 Lumen | W27 2700K | | 95 95+CRI | S55 Shield 55 | BLK Black | MD Mains Dimming | SUS Suspended |
| | 1600 1600 Lumen | W30 3000K | | | S65 Shield 65 | CST Custom Colour | ANA Analogue | ROD Rod Suspended |
| | 2400 2400 Lumen | W40 4000K | | | | | DAL DALI | |
| | 3200 3200 Lumen | W57 5700K | | | | | DMX DMX | |
| | 4400 4400 Lumen | RGB RGB | | | | | PWM PWM | |
| | 4800 4800 Lumen | RGBWxx RGBW | | | | | WLS Wireless | |
| | 8800 8800 Lumen | WxxWxx VariWhite | | | | | | |
| | 0300 300 Lumen (RGB) | | | | | | | |
| | 0600 600 Lumen (RGB) | | | | | | | |
| | 0900 900 Lumen (RGBW) | | | | | | | |
| | 1200 1200 Lumen (RGB) | | | | | | | |
| | 1800 1800 Lumen (RGBW) | | | | | | | |
| | 3000 3000 Lumen (RGBW) | | | | | | | |
| | 1400 1400 Lumen (VariWhite) | | | | | | | |
| | 2800 2800 Lumen (VariWhite) | | | | | | | |

NOTE - Dot free illumination is guaranteed with all White LED/Opal diffuser combinations. Clear and frosted diffusers will not provide dot free finish. Tuneable White, RGB or RGBW LED's may produce spotting on small profiles.



LED Lighting
Fibre Optic Lighting
Lighting Control
Electronic Engineers



1800 950 888
+617 3899 1267
info@digilin.com.au
www.digilin.com.au