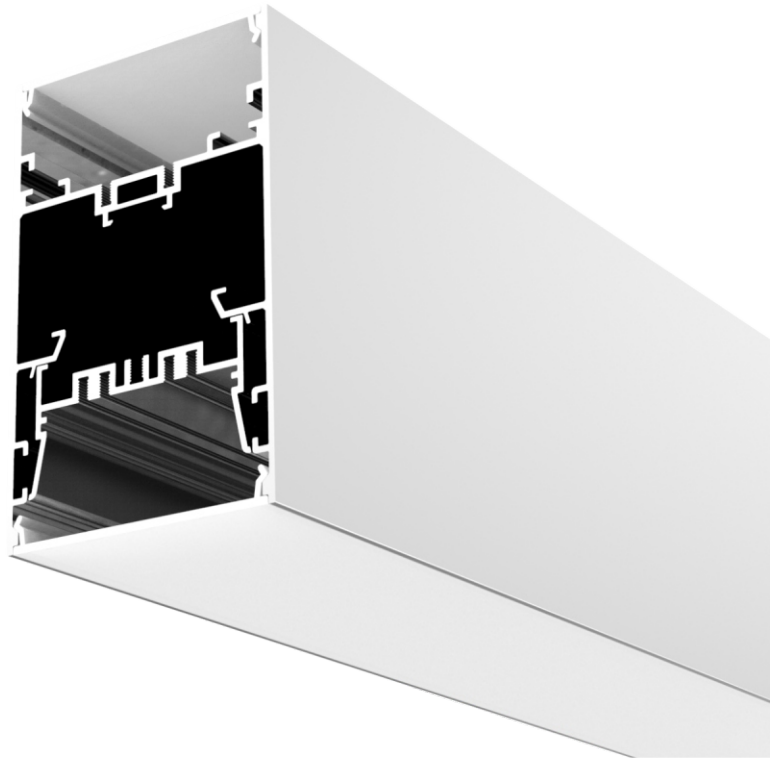




# UPDOWN 75

LED Extrusion Profile

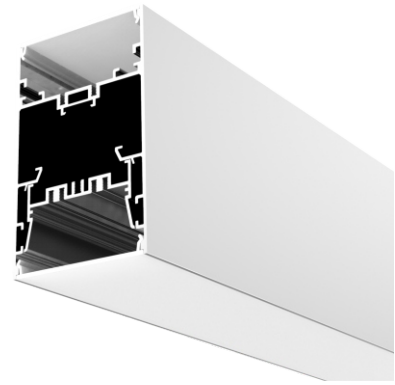


LED Lighting  
Fibre Optic Lighting  
Lighting Control  
Electronic Engineers



# UPDOWN 75

## LED Extrusion Profile

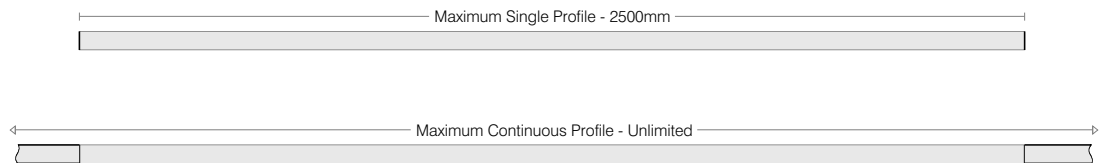
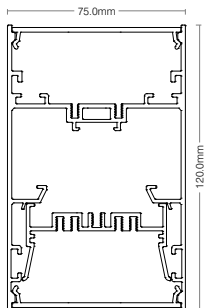


### A deep & wide profile with upward and downward illumination

Updown 75 is a stylish linear extrusion profile suitable for suspended applications. The downward lighting channel can accommodate high power LED modules, while the upper lighting channel houses decorative and colourmixing LED modules. Available with screwless end caps for a refined finish.

LED Options	Lumens (p/m)				Power (p/m)			Performance				
<b>White</b>	2700K	3000K	4000K	5700K	W	VDC	mA	CRI (default)	CRI (option)	L70 (Calc)	L70 (TM21)	
LED 70	-	72	-	-	1.2	24	50	80	Nil	54,000	36,000	
LED 800	780	800	870	910	7.92	24	330	80	90/95	54,000	36,000	
LED 1600	1447	1480	1613	1680	16.08	24	670	80	90/95	54,000	36,000	
LED 2400	2170	2220	2420	2520	24.00	24	1000	80	90/95	54,000	36,000	
LED 3200	2894	2960	3226	3360	32.16	24	1340	80	90/95	54,000	36,000	
<b>Colourmixing</b>	All (inc white)				W	VDC	mA	CRI (default)	CRI (option)	L70 (Calc)	L70 (TM21)	
RGB 300					480	11.52	24	480	-	-	54,000	36,000
RGB 600					720	17.28	24	720	-	-	54,000	36,000
RGBW 900					906	17.28	24	720	80	-	54,000	36,000
<b>Tuneable White</b>	3000K	4000K	5000K	6000K	W	VDC	mA	CRI (default)	CRI (option)	L70 (Calc)	L70 (TM21)	
VariWhite 1400	1506	1550	1594	1638	14.4	24	600	80	-	54,000	36,000	
VariWhite 2800	3012	3100	3188	3276	28.8	24	1200	80	-	54,000	36,000	

### Dimensions



### Ordering Codes

QUICK SPEC				OPTIONS				
<b>UPD075</b>	<b>0800</b>	<b>W30</b>	<b>O</b>	-	-	-	-	-
Profile	Lumen Group	Colour/CCT	Cover/Lens	CRI	Shield	Finish Colour	Integral Control	Mounting
UPD075 Updown 75	0070 70 Lumen 0800 800 Lumen 1600 1600 Lumen 2400 2400 Lumen 3200 3200 Lumen 0300 300 Lumen (RGB) 0600 600 Lumen (RGB) 0900 900 Lumen (RGBW) 1400 1400 Lumen (VariWhite) 2800 2800 Lumen (VariWhite)	W24 2400K W27 2700K W30 3000K W40 4000K W57 5700K RGB RGB RGBWxx RGBW WxxWxx VariWhite	O Opal	90 90+CRI 95 95+CRI	S44 Shield 44 S55 Shield 55 S65 Shield 65	WHT White BLK Black CST Custom Colour	ND Non Dimming MD Mains Dimming ANA Analogue DAL DALI DMX DMX PWM PWM WLS Wireless	SFC Surface SUS Suspended ROD Rod Suspended

NOTE - Dot free illumination is guaranteed with all White LED/Opal diffuser combinations. Clear and frosted diffusers will not provide dot free finish. Tuneable White, RGB or RGBW LED's may produce spotting on small profiles.



LED Lighting  
Fibre Optic Lighting  
Lighting Control  
Electronic Engineers



1800 950 888  
+617 3899 1267  
info@digilin.com.au  
www.digilin.com.au