



# INTEGRA

LED Downlight Range  
734 - 1210 Lumens



LED Lighting  
Fibre Optic Lighting  
Lighting Control  
Electronic Engineers



# INTEGRA

LED Downlight  
734 - 1210 Lumens

## Versatile, stylish & economical

The Integra range is an ultra versatile downlight collection from Digilin. Integra enables easy selection from three available wattages into fixed or adjustable downlight frames.

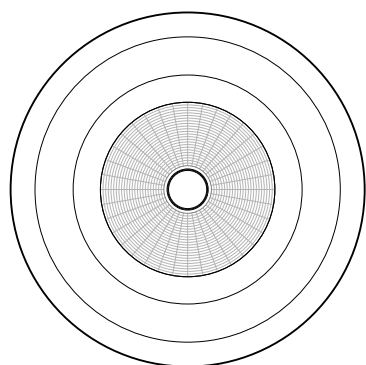
With selectable beam angles via reflector or lens and an IP44 rated version, Integra provides versatility and reliability in an affordable downlight.



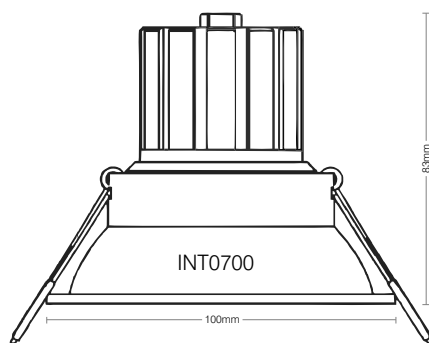
## Specifications

Version	Integra 700		Integra 900		Integra 1200	
Colours	Warm	Neutral	Warm	Neutral	Warm	Neutral
Colour Temperature	3000K	4000K	3000K	4000K	3000K	4000K
Luminaire Lumens @ 64°/60°	694	734	890	942	1144	1210
Power	9W		12W		15W	
Current	200mA		280mA		350mA	
Voltage (Nominal)	35.3VDC		35.4VDC		35.5VDC	
Connected Load	8.2W		11.7W		14.9W	
Beam Options	35°, 60°					
Typical CRI	85 (90 CRI Available)					
MacAdams Ellipse	3 SDCM/MacAdam Steps					
Performance	70% Lumen Maintenance (10k) @ >50,000 Hours (L70)					
Power Factor	>0.9					
Dimming Options	Mains, DALI					
Construction Material	Powder-coated machined aluminium frame/fascia & extruded aluminium heatsink					
Finish Colour	White					
IP Rating	IP20 (Adjustable) & IP44 (Fixed)					
Mounting	Recessed (Fixed & Adjustable)					
Hole Cut Out	90mm					
Weight	285gm (Fixed Recessed)					

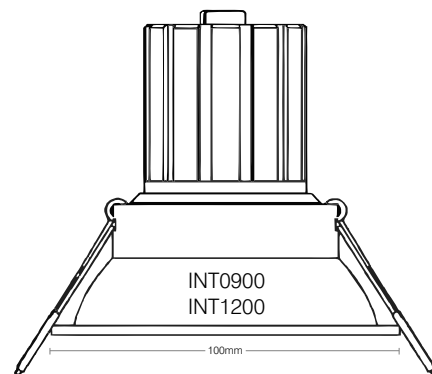
## Dimensions



Front View



Side View



Side View

## Ordering Codes

QUICK SPEC				OPTIONS								
INT	-	1300	-	W30	-	60	-	-	-	-	-	
Family		Version		Colour/CCT		Beam Angle		Finish Colour		CRI	Fixture Type	Control
INT	Integra Downlight	0700 700 Lumen 0900 900 Lumen 1200 1200 Lumen		W30 3000K W40 4000K		35 35 Degree Reflector 60 60 Degree Reflector 30 30 Degree Lens 55 55 Degree Lens		Default (White)		Default (85+) 90 90+CRI 95 95+CRI	Default (Adjustable IP20) REC Fixed IP44 ADJ Adjustable IP20	Default (Mains) ND Non Dimming MD Mains Dimming DALI DALI

NOTE- Integra range is manufactured to Digilin specifications by an International Partner



LED Lighting  
Fibre Optic Lighting  
Lighting Control  
Electronic Engineers



1800 950 888  
+617 3899 1267  
info@digilin.com.au  
www.digilin.com.au