

FREEDOM

High Performance LED Downlight
4540 - 6190 Lumens



FREEDOM

High Performance LED Downlight

4540 - 6190 Lumens

DIGILIN

An LED alternative with high output and low glare

An outstanding commercial, retail, and theatrical downlight, using the latest technology from Digilin. Amazing efficiency and massive lumens are what you get from the Freedom LED downlight.

Designed for high ceiling applications such as showrooms, shopping centres and auditoriums, the Freedom LED downlight allows LED efficiency and longevity into projects which have historically relied upon halogen and metal halide.

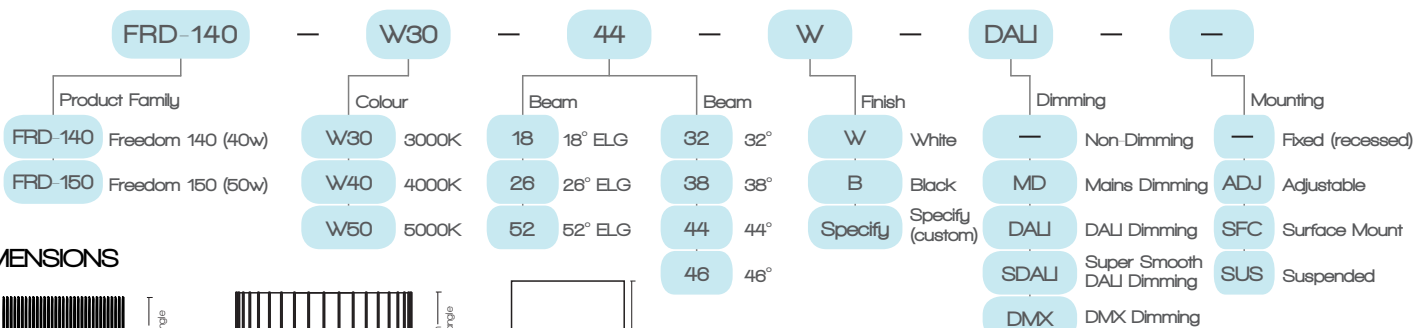


SPECIFICATIONS

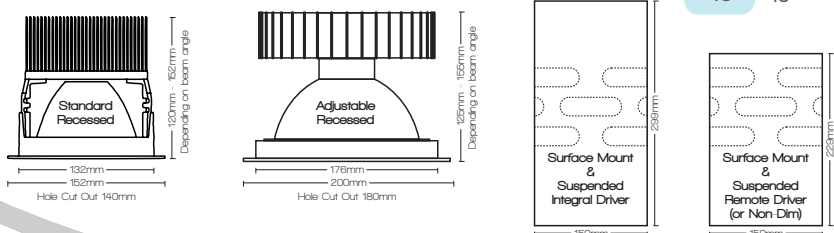
Version	Freedom 140			Freedom 150		
Colours	Warm White	Neutral White	Cool White	Warm White	Neutral White	Cool White
Colour Temperature	3000K	4000K	5000K	3000K	4000K	5000K
Luminaire Lumens @ 52° Beam	4540	4680	4746	5920	6100	6190
Typical CRI	85 (Optional 90)					
MacAdams Ellipse	3 SDCM/MacAdam Steps					
Beam Option	32°, 38°, 44°, 46°, 18° ELG, 26° ELG, 52° ELG (Extra Low Glare)					
Performance	70% Lumen Maintenance @ 50,000 Hrs (L70)					
Luminaire Power	37.2w (1050mA @ 35.4V Nominal)			50w (1400mA @ 35.7V Nominal)		
Connected Load	40.4w			55.1w		
IP Rating	IP40 (IP54 With Window)					
Material	Heat Sink - Extruded Aluminium, Bezel & Body - Cast Aluminium					
Finish	White, Black, Custom Colour by Special Order					
Power Supply	Mains/Non Dimming: LPC-431050-MD DALI Dimming: LPC-LCAI-551050 Super Smooth DALI: LDD-DALI-1050 DMX Dimming: LDD-DMX-1050			Non Dimming: LPC-LCM-60 DALI Dimming: LPC-LCAI-551400 Super Smooth DALI: LDD-DALI-1400 DMX Dimming: LDD-DMX-1400		
Power Factor	>0.9					
Weight	930g (Fixed Recessed)					
Hole Cut Out	140mm Dia (Fixed), 180mm Dia (Adjustable)					
Mounting Options	Fixed Recessed, Adjustable Recessed, Surface Mount, Suspended					

ORDERING CODES

NOTE: Surface mount & suspended units may have integral driver and/or remote driver options, please check with Digilin prior to ordering



DIMENSIONS



1800 950 888

37 Oxford St Bulimba, QLD 4171

1800 982 005

www.digilin.com.au

DIGILIN

Manufactured In Australia for over 35 years