



LIBERTY

LED Downlight

998 Lumens - 2228 Lumens



LED Lighting
Fibre Optic Lighting
Lighting Control
Electronic Engineers



LIBERTY

LED Downlight

998 Lumens - 2228 Lumens

Designed for superior performance & low glare

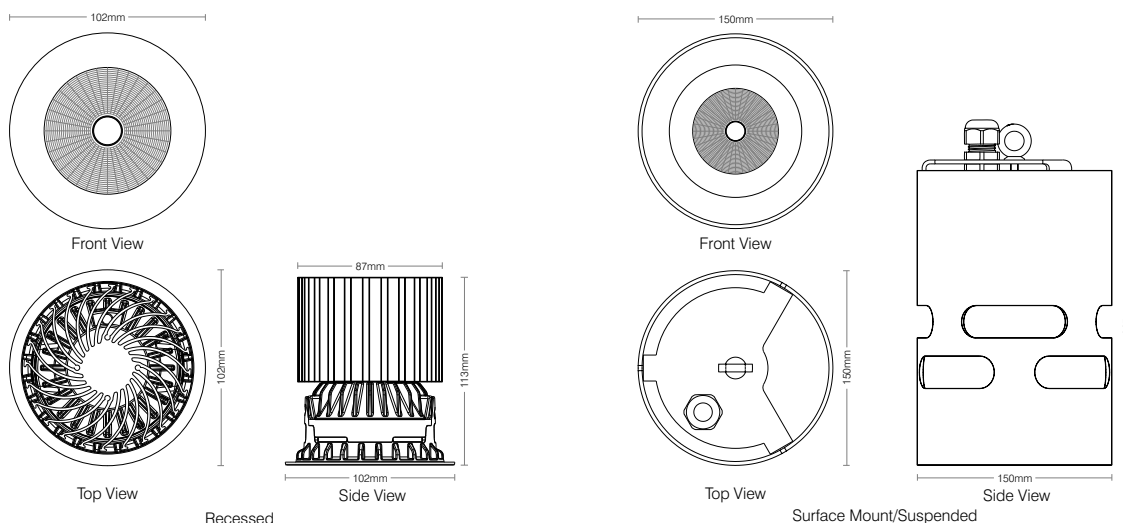
The Liberty range is an ultra versatile downlight collection available from Digilin. Well regarded for its efficiency and reliability the Liberty has earned the nickname "Bulletproof". Australian designed and manufactured, with class leading light output ratios, the Liberty is an outstanding example of electronic lighting engineering. Multiple outputs, colours and beam angles make it extremely easy to arrive at the perfect downlight solution for any project.



Specifications

Version	Liberty 1200				Liberty 1600				Liberty 2200				Liberty 2800			
Colours	Warmer	Warm	Neutral	Cool	Warmer	Warm	Neutral	Cool	Warmer	Warm	Neutral	Cool	Warmer	Warm	Neutral	Cool
Colour Temperature	2700K	3000K	4000K	5000K	2700K	3000K	4000K	5000K	2700K	3000K	4000K	5000K	2700K	3000K	4000K	5000K
Luminaire Lumens @ 64°/60°	1150	1205	1235	1250	1495	1560	1600	1620	2080	2170	2225	2250	2640	2750	2820	2858
Power	9.1w				12.0w				17.7w				25.7w			
Current	270mA				350mA				500mA				700mA			
Voltage (Nominal)	33.7V				34.4V				35.4V				36.8V			
Connected Load	11.2w				14.7w				19.9w				27.3w			
Beam Options	18°, 35°, 64°								35°, 60°							
Typical CRI	85 (90, 95 & Vivid Series Available)															
MacAdams Ellipse	3 SDCM/MacAdam Steps															
Performance	80% Lumen Maintenance (15k) @ >90,000 Hours (L80)															
Power Factor	>0.9															
Dimming Options	Mains, DALI, Super Smooth DALI, Super Smooth DMX															
Construction Material	Powder-coated cast aluminium frame/fascia & extruded aluminium heatsink															
Finish Colour	White (Custom colours on request)															
IP Rating	IP40 (IP54 & IP65 Available)															
IK Rating	IK00 (IK07 Available)															
Mounting	Fixed Recessed, Surface Mount, Suspended															
Hole Cut Out	(90mm) Fixed Recessed															
Weight	(570gm) Fixed Recessed															

Dimensions



Ordering Codes

QUICK SPEC				OPTIONS								
LIB	-	1200	-	W30	-	64	-	-	-	-	-	
Family		Version		Colour/CCT		Beam Angle		Finish Colour		CRI	Mounting	Control
LIB Liberty Downlight		1200 1200 Lumen		W27 2700K		18 18 Degree		Default (White)		Default (85+)	Default (Recessed)	Default (Mains)
		1600 1600 Lumen		W30 3000K		35 35 Degree		WHT White		90 90+CRI	SFC Surface	ND Non Dimming
		2200 2200 Lumen		W40 4000K		64 64 Degree		BLK Black		95 95+CRI	SUS Suspended	MD Mains Dimming
		2800 2800 Lumen		W50 5000K		60 60 Degree (2200 & 2800 Only)		CST Custom Colour		XX Custom	ROD Rod Suspended	ANA Analogue
				WXX Custom (Specify)								DAL DALI
												SDAL Smooth DALI
												DMX DMX

NOTE: Stadium range is proudly engineered by Digilin and manufactured in our Brisbane facility



LED Lighting
Fibre Optic Lighting
Lighting Control
Electronic Engineers



1800 950 888
+617 3899 1267
info@digilin.com.au
www.digilin.com.au