



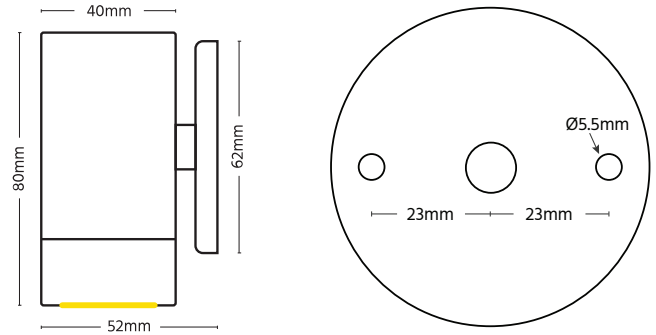
CAUTION

- Installation should only be performed by a qualified professional.
- Install in accordance with all appropriate wiring standards.
- DALI is not SELV and needs to be wired accordingly.
- Never connect a LED luminaire to a driver that is powered. Doing so may result in damage to the LED.
- Always make sure the output voltage range and output current of the LED driver match the requirements of the LED luminaire. Failure to do so may result in damage to both the driver and the luminaire.
- Do not install under mechanical stress.
- Allow for expansion due to changes in temperature.
- Warranty void if damage is caused by water ingress through cables. Cable join must be sealed or in a dry location. Water entering the cable may damage the luminaire.
- The light source of this luminaire is not replaceable; when the light source reaches its end of life the whole luminaire shall be replaced.
- For operation only with SELV control gear conforming with AS/NZS 61347 series.
- Please be aware that while the system has a very long operational life, faults may occur, and provision needs to be made for maintenance.
- Always turn off power before working on luminaire.
- This is an extra low voltage product.
- Avoid excessive strain on the luminaire cable fixing during installation. Take care not to nick or damage the cable. Always terminate in a dry location or use a suitable sealed connection.
- We recommend either that full unjoined cable be used (back to a dry location) or a suitable weatherproof (IP68) joining method be used.
- There are many standard ways that fully waterproof (IP68) reliable connections can easily be made if a loop wiring system is required. These include electric junction boxes that are filled with one of the readily available potting encapsulates specifically made for this type of application.
- Stainless Steel products should only be cleaned with scratch-free cleaners that do no damage the surface.

Overview

Dimensions

Luminaire	40mm x 40mm x 80mm
From Mounting Surface	52mm
Mounting Plate Diameter	62mm
Mounting Holes (from centre)	23mm
Mounting Screw Hole Diameter	5.5mm
Weight	565g

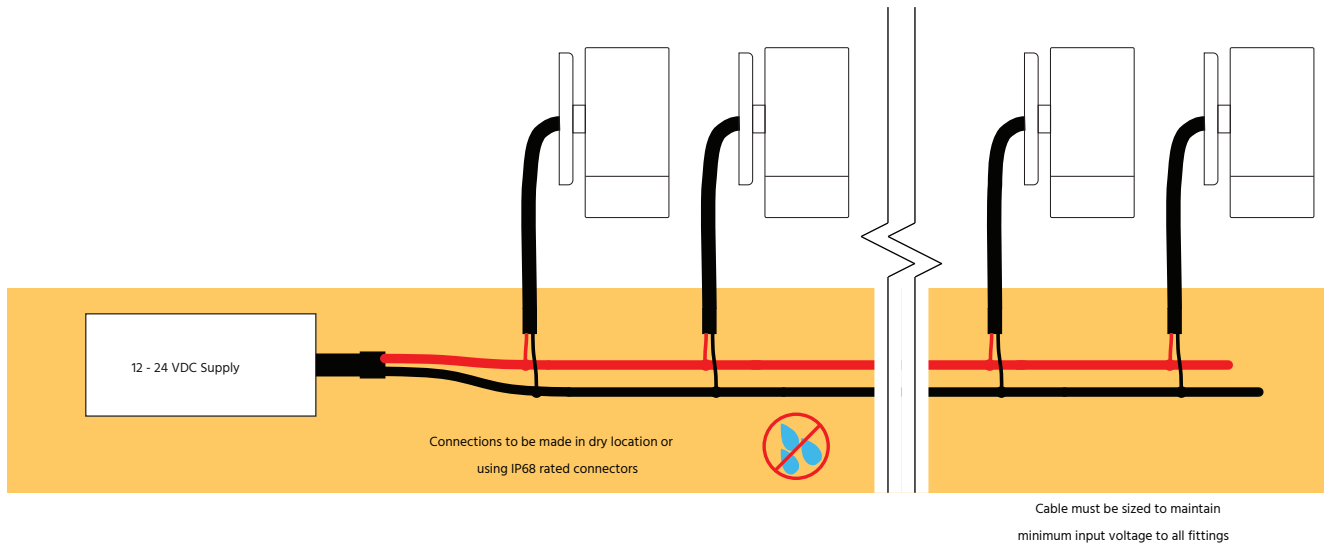


*Refer to page 3-4 for wiring diagram and page 5 for installation.

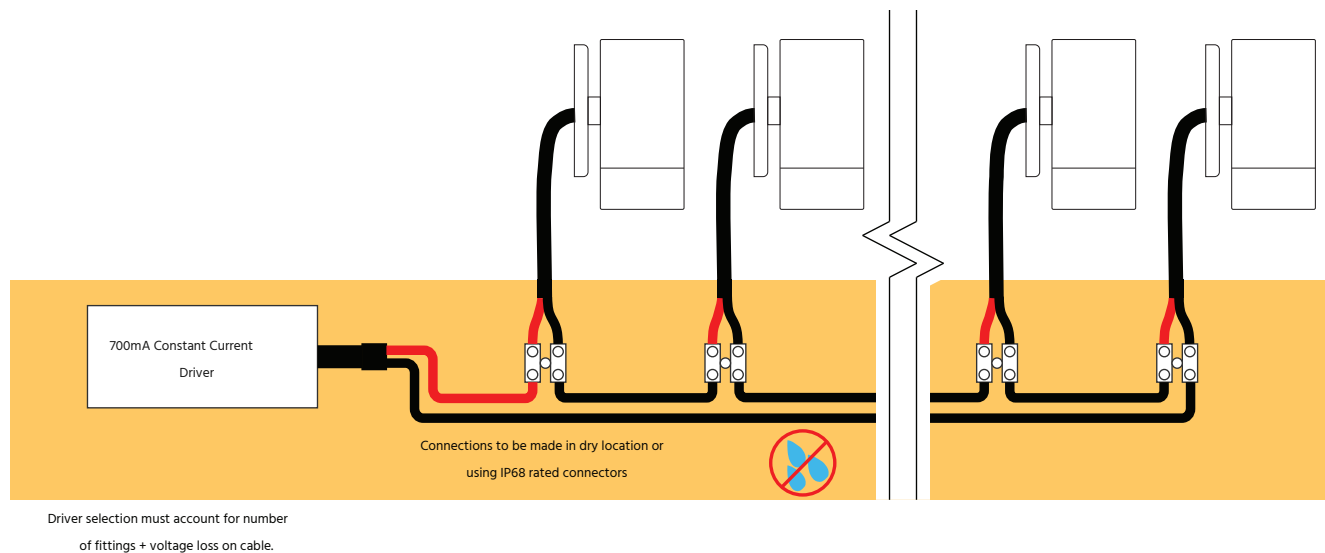
Wiring Diagrams

Single Colour

Non-Dimmable Luminaires



Dimmable Luminaires

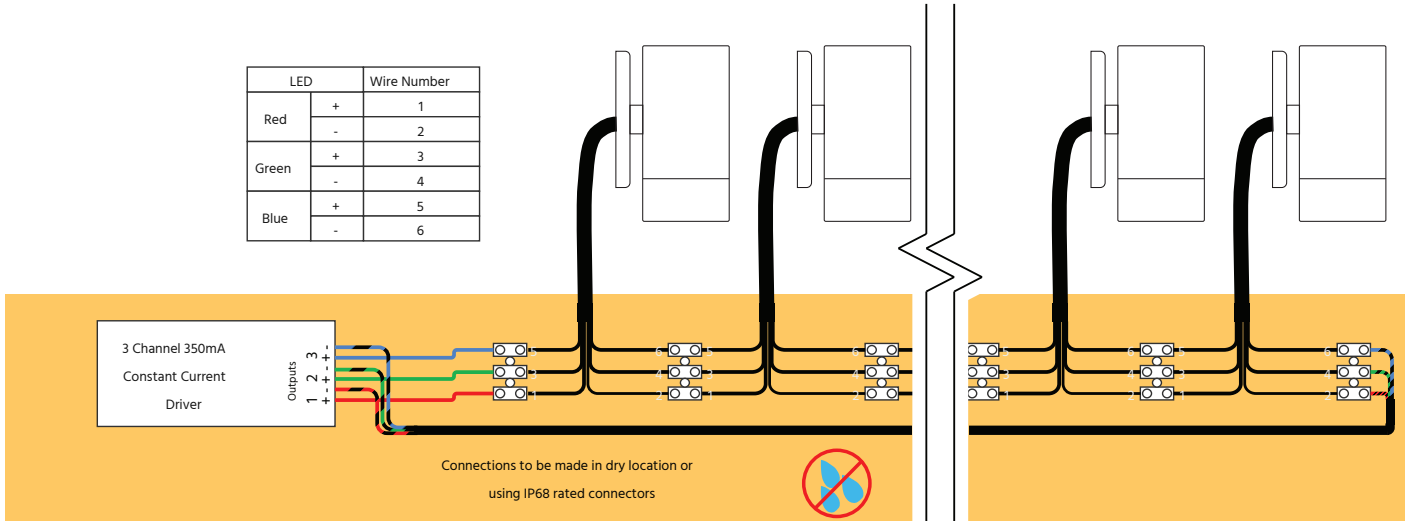


Note: Drivers should not be covered. Drivers rely on convection air flow for cooling and covering them may cause them to enter thermal regulation.

Wiring Diagrams

RGB Model

Dimmable Luminaires



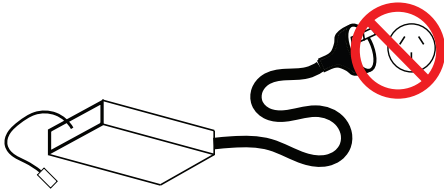
Driver selection must account for number
of fittings + voltage loss on cable.

Note: Wire colours are indicative only. Colours may vary.

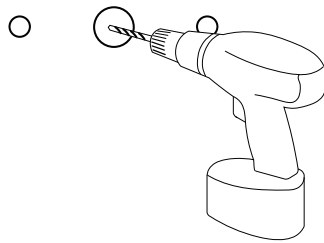
Note: Drivers should not be covered. Drivers rely on convection air flow for cooling and covering them may cause them to enter thermal regulation.

Installation

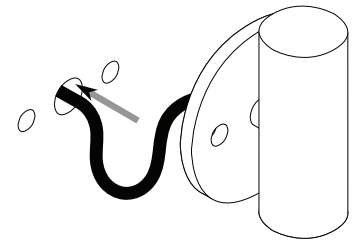
Installation Process - Wall Mount



1. Install drive gear. Leave power off.



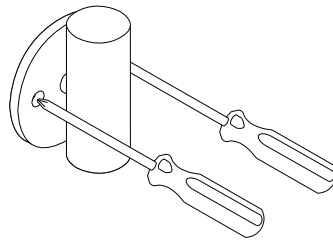
2. Prepare mounting surface by drilling central hole for cable and 2x holes for mounting fasteners.



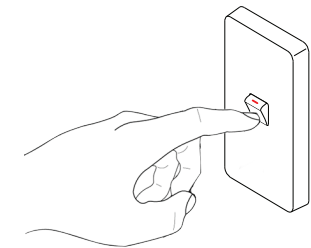
3. Feed fitting cable through the central hole.



4. Run continuous cable from the luminaire back to dry location to make any joins and connect to power supply.



5. Ensure correct orientation of the luminaire, then secure to surface using appropriate fasteners.



6. Connect to power.

Note: Non-dimmable luminaires are connected in parallel while dimmable luminaires are connected in series. Refer to Wiring Diagrams.